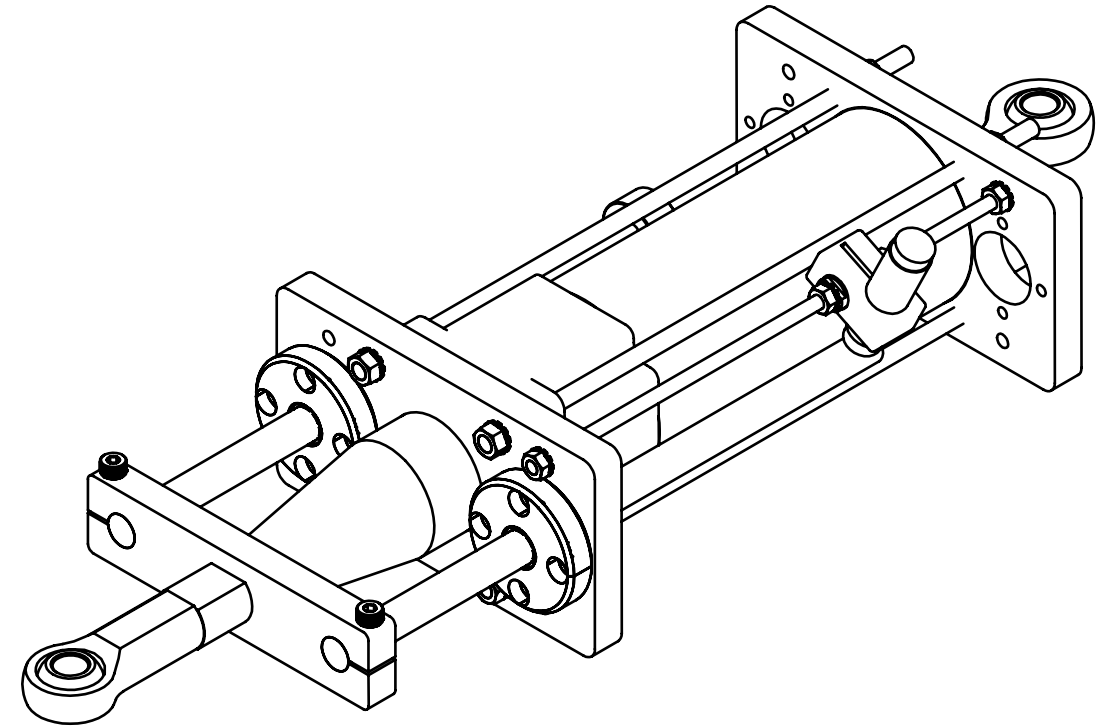
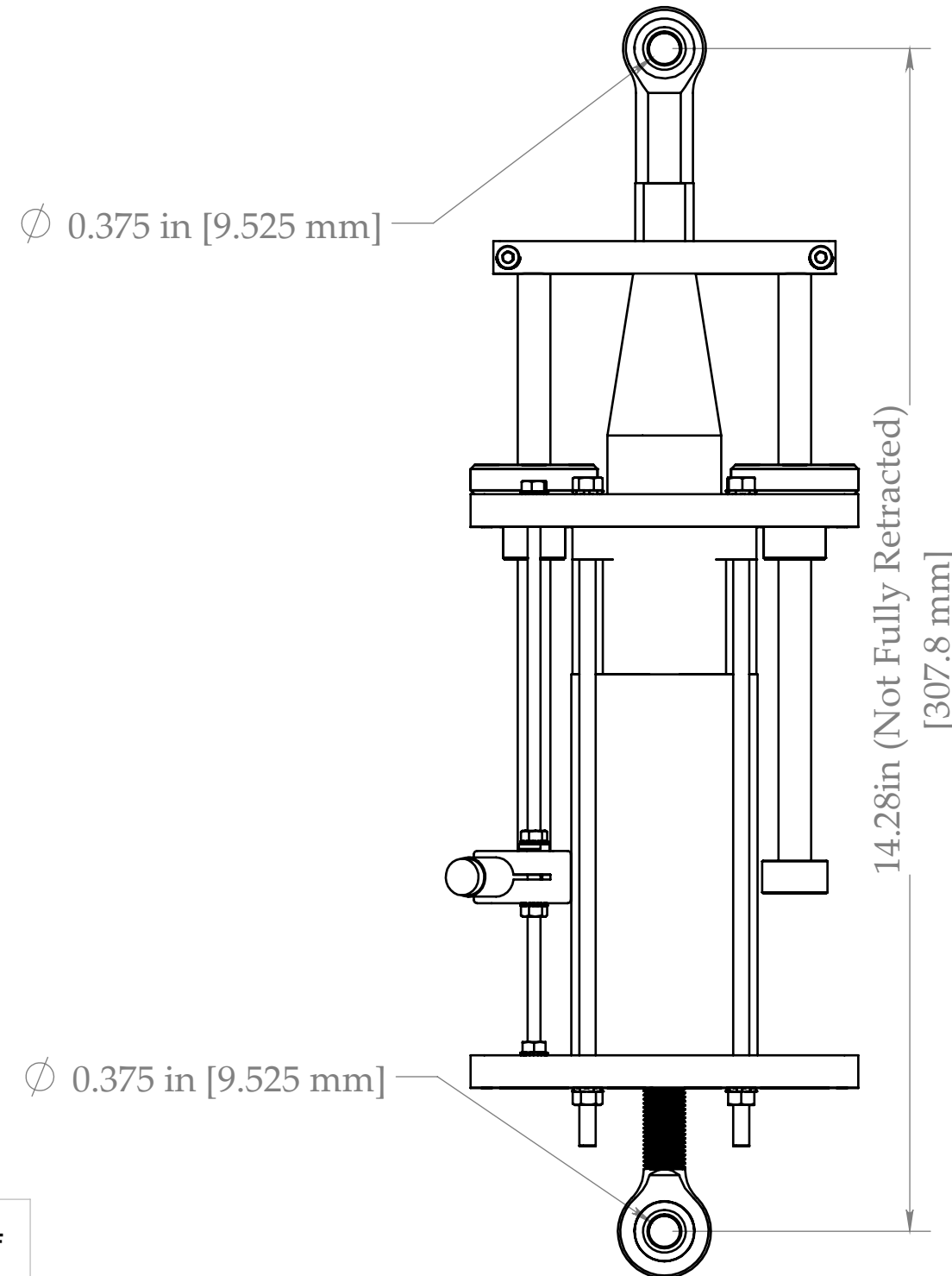
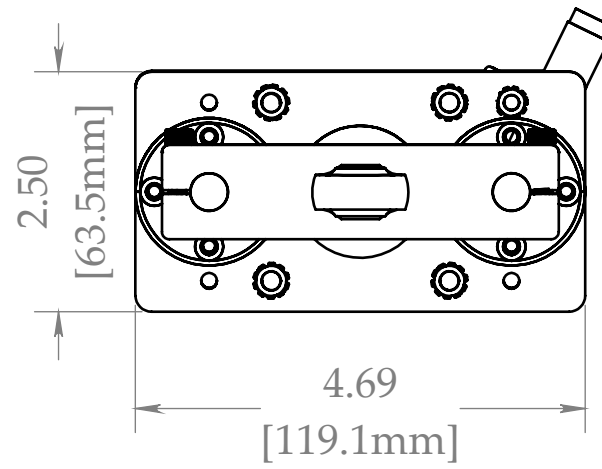


**NOTES:**

1. INTERPRET DRAWING PER:  
ASME Y14.5-2009 DIMENSION AND TOLERANCING.
2. REMOVE ALL BURRS AND SHARP EDGES.
3. ALL SURFACES ARE TO BE FREE OF CONTAMINATES PRIOR TO FINISH OR SHIPPING.
4. BAG OR TAG PART(S) WITH  
PART NUMBER, APPLICABLE DASH NUMBER, AND REVISION LEVEL.
5. MATERIAL:
6. FINISH:



REVISIONS			
APPD	DESCRIPTION	DATE	REV

ALL DIMENSIONS ARE; **INCHES**  
 TOLERANCES UNLESS NOTED:  
 INCH            MILLIMETER  
 X.XX +/- 0.01    X.X +/- 0.3  
 X.XXX +/- 0.005   X.XX +/- 0.1  
 THIRD ANGLE PROJECTION

TITLE LHS-020-xxxx-TG	
DWG NO	REV -- SHEET

#	PART NUMBER	QTY.
1	Bearing Support Plate	2
2	Shaft	2
3	Shaft Support Plate	1
4	LHS-020-xxxx-RF Actuator	1
5	Linear Shaft Bearing	2
6	LHS-020-xxxx-RF Actuator Lead Screw	1
7	Aluminum Tube	1
8	M5 Threaded Rod	4
9	M5 Nut with Spring Washer	8
10	M4 Nut with Spring Washer	4
11	M4 Threaded Rod	1
12	Servo Center Sensor	1
13	Ball Joint Rod End, Oversized, 1/2"-20 Thread	1
14	Ball Joint Rod End, 3/8"-24 Thread	1
15	Servo Center Sensor Mount	1
16	M6 Thread Adapter	1
17	Bellow	1
18	M4 Socket Head Screw	2
19	Shaft Collar	1

