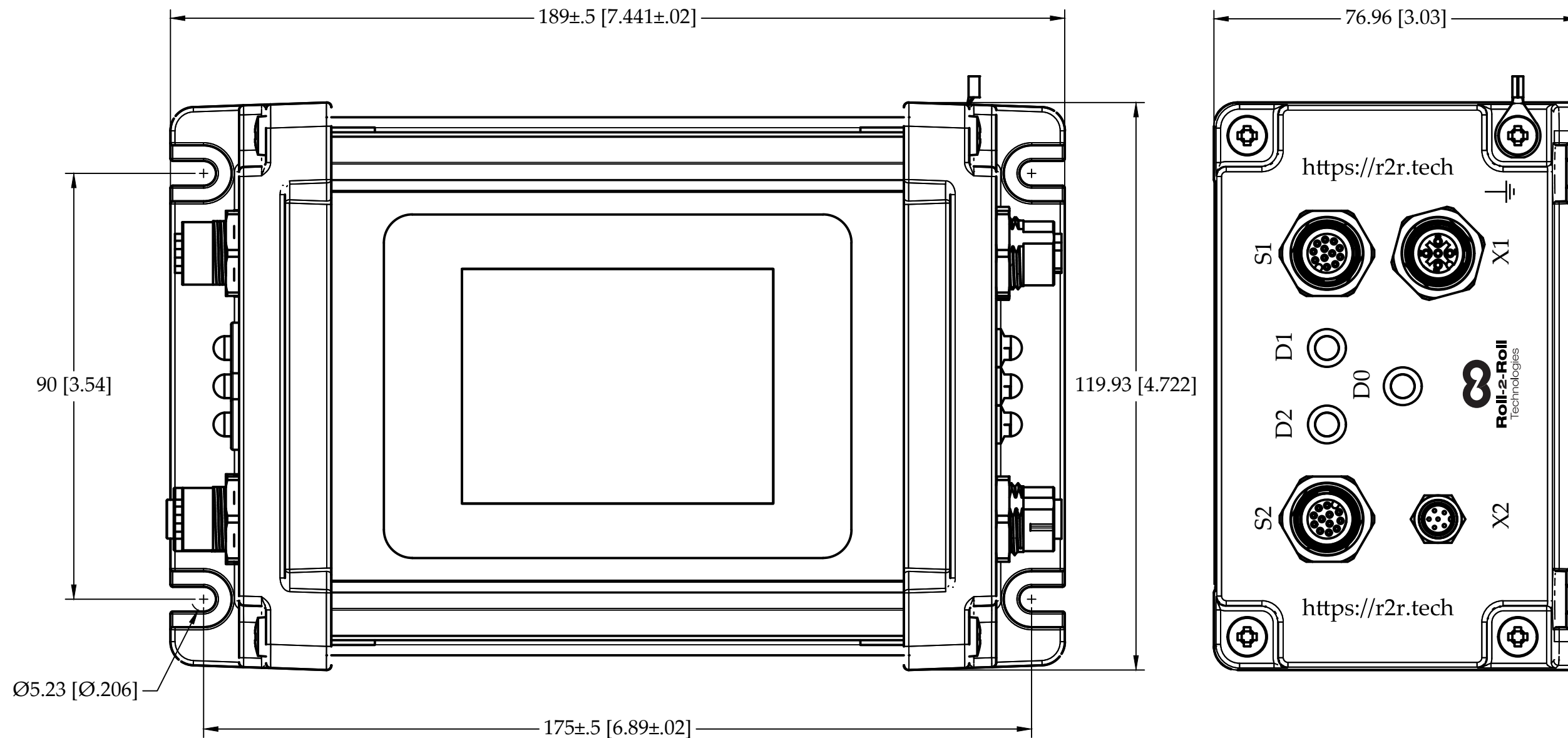


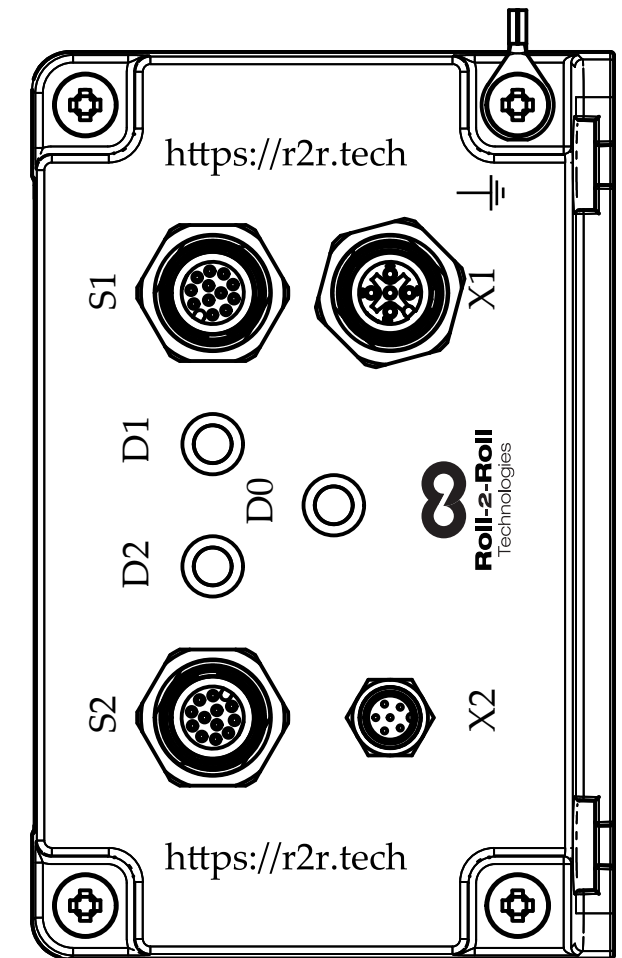
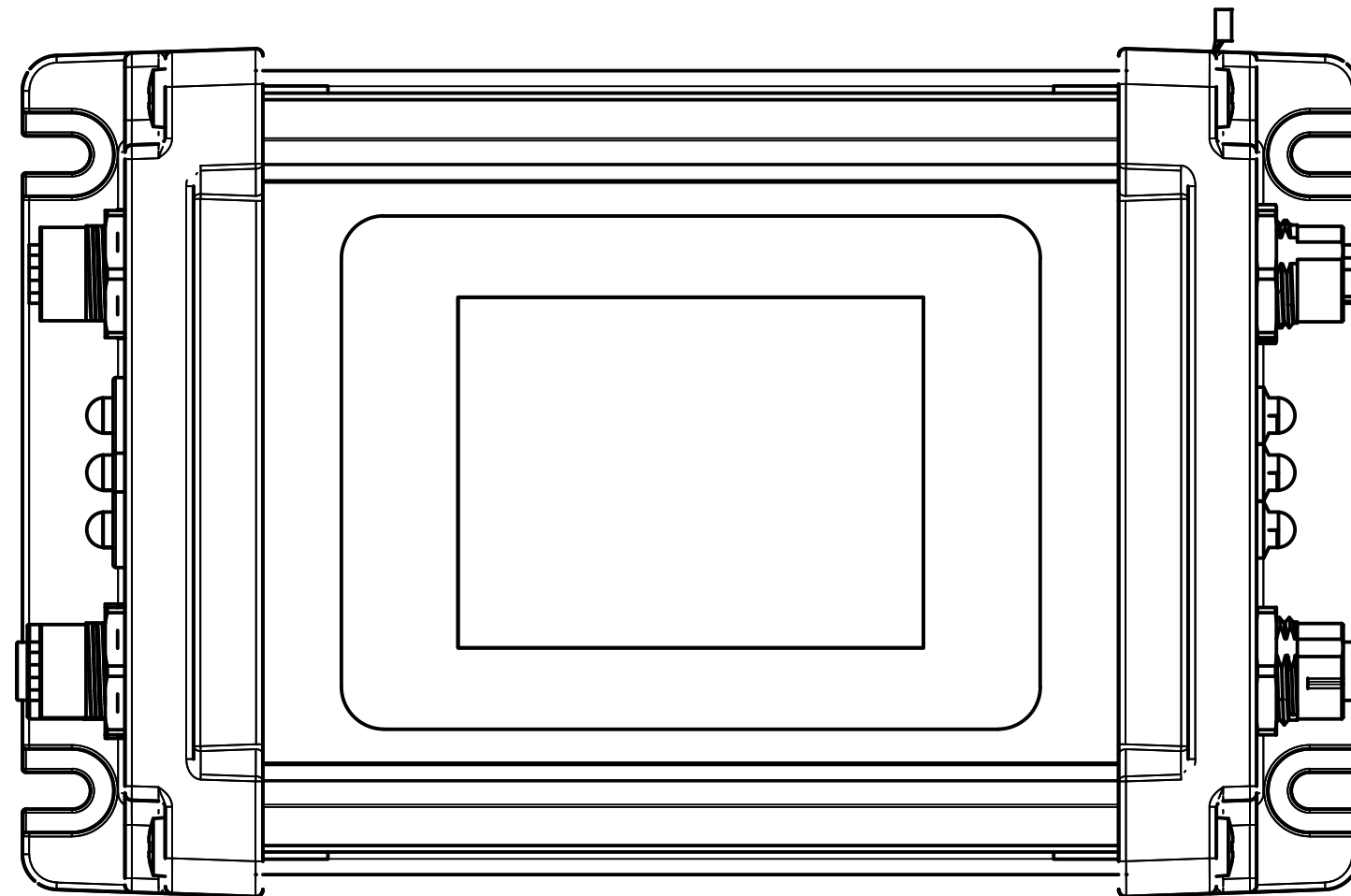
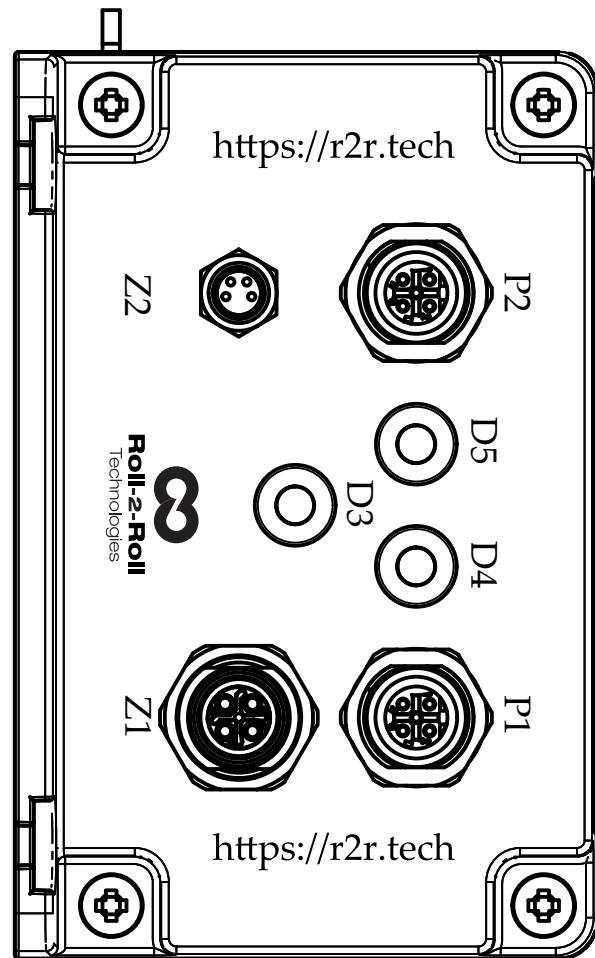
For reference only, subject to change without notice.



PROPRIETARY AND CONFIDENTIAL NOTICE
 ALL INFORMATION ON THIS SHEET IS THE SOLE PROPERTY OF
 Roll-2-Roll Technologies LLC.
 All Rights Reserved. © Copyright 2023.



DRAWN	AS	JAN 24	Roll-2-Roll Technologies Website: https://r2r.tech Phone: +1-888-290-3215 Email: engineering@r2r.tech		
CHECKED			TITLE SCU6x		
APPROVED					
UNLESS OTHERWISE SPECIFIED: ALL DIMENSIONS ARE IN MM TOLERANCES UNLESS NOTED:			SIZE	DWG NO	REV
INCH MILLIMETER X.X \pm 0.030 X.X \pm 1 X.XX \pm 0.015 X.XX \pm 0.5 X.XXX \pm 0.005 X.XXX \pm 0.25			THIRD ANGLE PROJECTION		
DO NOT SCALE DRAWING			SCALE 1:1	SHEET 1/3	



PROPRIETARY AND CONFIDENTIAL NOTICE
 ALL INFORMATION ON THIS SHEET IS THE SOLE PROPERTY OF
 Roll-2-Roll Technologies LLC.
 All Rights Reserved. © Copyright 2023.



DRAWN	AS	JAN 24	Roll-2-Roll Technologies Website: https://r2r.tech Phone: +1-888-290-3215 Email: engineering@r2r.tech	
CHECKED			TITLE SCU6x	
APPROVED				
UNLESS OTHERWISE SPECIFIED: ALL DIMENSIONS ARE IN MM TOLERANCES UNLESS NOTED:			SIZE	DWG NO
INCH			B	
MILLIMETER			SCALE	1:1
X.X ± 0.030				SHEET
X.XX ± 0.015				2/3
X.XXX ± 0.005				
THIRD ANGLE PROJECTION				
DO NOT SCALE DRAWING				



For reference only, subject to change without notice.



PROPRIETARY AND CONFIDENTIAL NOTICE
 ALL INFORMATION ON THIS SHEET IS THE SOLE PROPERTY OF
 Roll-2-Roll Technologies LLC.
 All Rights Reserved. © Copyright 2023.



DRAWN	AS	JAN 24	Roll-2-Roll Technologies Website: https://r2r.tech Phone: +1-888-290-3215 Email: engineering@r2r.tech		
CHECKED			TITLE SCU6x		
APPROVED					
UNLESS OTHERWISE SPECIFIED: ALL DIMENSIONS ARE IN MM TOLERANCES UNLESS NOTED:			SIZE	DWG NO	REV
INCH MILLIMETER X.X ± 0.030 X.X ± 1 X.XX ± 0.015 X.XX ± 0.5 X.XXX ± 0.005 X.XXX ± 0.25			THIRD ANGLE PROJECTION	B	
DO NOT SCALE DRAWING			SCALE 1:1	SHEET 3/3	