

## SCU6x: Redefining Performance and Simplicity

**SCU6x**, the next generation **Roll-2-Roll®** Controller blends cutting-edge technology with user-friendly design, embodying our commitment to simplicity and efficiency.

Paired with **Roll-2-Roll®** Sensors, SCU6x offers an all-encompassing solution for diverse applications including:

- Web guiding (edge, center, line, contrast)
- Advanced web guiding (master/slave, oscillation)
- Web width measurement
- Multiple strip width measurement
- Thread/string counting
- Flag detection
- Splice detection
- Defect detection
- Registration mark detection
- Tear detection
- Simple inspection



### KEY FEATURES

Dual rail power supply for enhanced safety  
 Advanced power management for reliability  
 Integrated advanced stepper driver for precision  
 Wide driver voltage (24-48 V) for versatility  
 Digital I/O and industrial ethernet for easy integration

### KEY ENHANCEMENTS

Building on the success of the SCU5, the SCU6x controller offers significant enhancements:

**Faster Processing:** 3x faster, enhancing sensor response and inspection efficiency.

**More Memory:** 10x more processor memory for handling larger sensors and multiple tasks.

**Enhanced Program Storage:** 4x more program memory for complex algorithms.

**Quicker Image Capture:** Captures images 16x faster, ideal for large sensors.

**Higher Resolution:** Offers 16x higher image resolution for detailed feature detection.

**Advanced Processor:** Upgraded to a 32-bit processor for greater precision.

### KEY BENEFITS

**Rapid Installation:** Keyed connectors for error free, quick installation

**Increased Productivity:** No setup or calibration of sensors

**Reliability and Safety:** Advanced power management and dual rail supply

**Waste Reduction:** High-accuracy sensors and precise actuator control

**Simplified Operations:** One controller for multiple applications

**Cost Effective:** Energy-efficient design with integrated driver solution

**Versatility:** A comprehensive solution for sensing and all web guiding needs

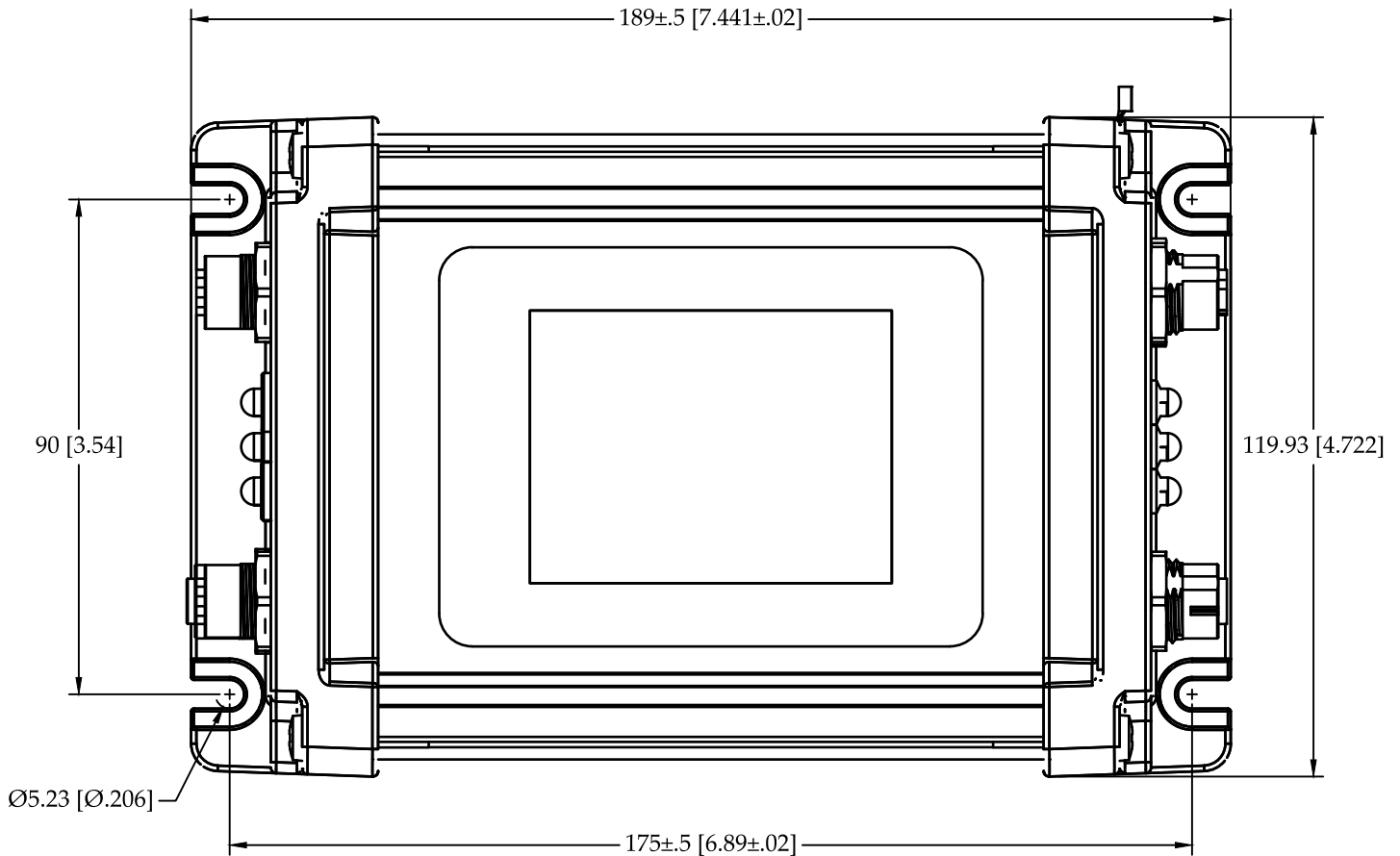
## GENERAL SPECIFICATIONS

**Power Input (dual rail):** 24 V for logic and 24 V to 48 V for driver  
**Current Consumption:** Up to 3 A for logic side and up to 7 A for driver  
**Sensor Inputs:** 2 independent channels  
**Actuator Output:** 1 Bi-polar stepper motor with up to 7 A per coil current  
**Industrial Ethernet:** 2 ports  
**Ethernet Protocols:** EtherNet/IP, PROFINET, EtherCAT, Modbus/TCP  
**Digital I/O:** 4x Input (NPN/PNP/Dry Contact) and 3x Outputs (NPN/PNP)  
**Operator Interface:** Color capacitive touchscreen

**Primary Housing Material:** Powder coated aluminum alloy  
**Mounting Options:** Wall mounted  
**Temperature:** - 10° C or 14 F to 65° C or 150 F  
**Relative Humidity:** 20 to 85% (non condensation)  
**Protection Class:** IP54

## PHYSICAL DIMENSIONS

Dimensions in mm [in]



Ready to harness the power of the **SCU6x** controller? We're here to guide you every step of the way. Contact one of our valued local sales partner near you for tailored assistance and support.