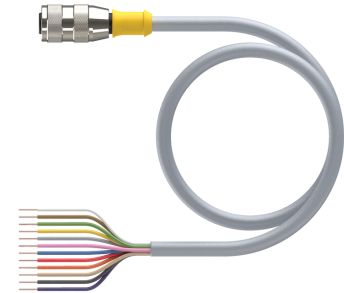
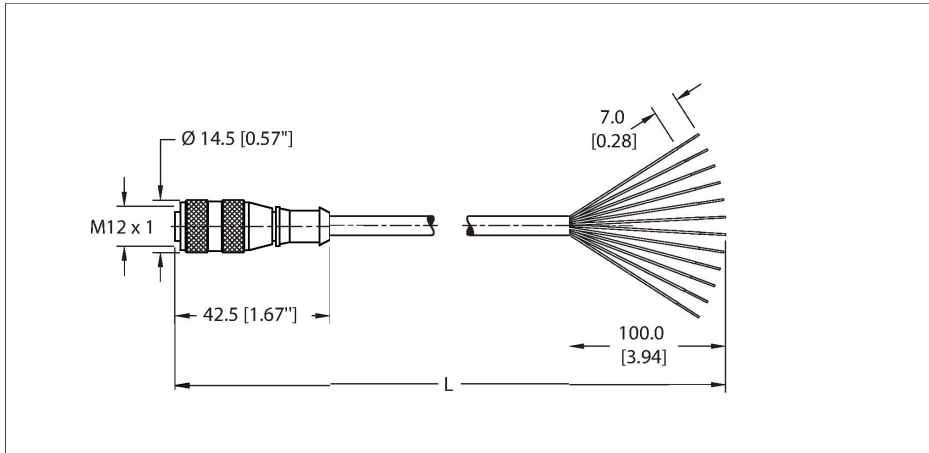


RK 12T-3

Actuator and Sensor Cordset – Connection Cable



Technical data

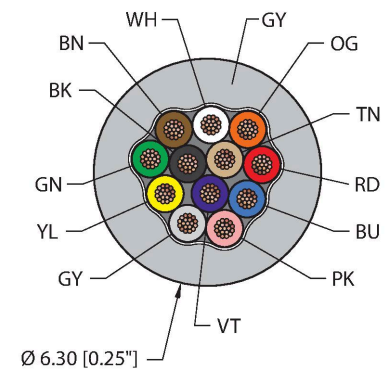
| | |
|---------------------------------|---|
| Type | RK 12T-3 |
| ID | U-28331 |
| Connector A | Female, M12 × 1, Straight, A-code |
| Design specification | Acc. to IEC 61076-2-101 |
| Number of contacts | 12 |
| Contacts | Bronze, CuSn, Gold-plated |
| Contact carriers | Plastic, TPU, Black |
| Connector body | Plastic, TPU, Yellow |
| Coupling nut | Brass, CuZn, Nickel-plated |
| Connector seal | O-ring, Plastic, FKM/FPM |
| Tightening torque (range) | 0.8 ... 1 Nm (note max. torque of mating connector!) |
| Mechanical life | > 100 Mating cycles |
| Pollution degree | 3 |
| Protection class (When coupled) | IP68, IP69K NEMA: 1, 3, 4, 6P |
| Cable data | |
| Cable ID | RF50991 |
| Total number of conductors | 12 |
| Cable diameter | Ø 6.3 mm |
| Length (L) | 3 m, (+50mm or 4% of length/-0.0, Whichever is greater) |
| Cable jacket | PVC, Gray |
| Conductor diameter | 0.043 " |
| Conductor material | TC (tinned copper) |

Features



- M12, Female, Straight, 12-pin
- General Purpose Cable
- Gray PVC jacket, 12X24 AWG
- -40 Cold Bend Rating
- Flame Ratings: UL1061, CSA FT1

Cable cross section



Contact assignment

Technical data

| | |
|-------------------------------|--|
| Conductor insulation material | PVC |
| Conductor size | 12 x 24 AWG [Similar to 0.25 mm ²] |
| Number of strands x O.D. | 19 x 36 AWG |
| Conductor colors | WH, BN, GN, YE, GY, PK, BU, RD, OR, TN, BK, VT |

| Electrical properties at +20 °C | |
|-------------------------------------|--|
| Rated voltage | 30 V |
| Current | 2 A |
| Mechanical and chemical properties | |
| Bending radius (static) | ≥ 5 x Ø |
| Bending radius (dynamic) | ≥ 10 x Ø |
| UL cold bend rating | -40 °C |
| Flex rating 20 x Ø | 10 million cycles* |
| | *When properly installed @ 20°C, 50%RH, and a cycle speed of ≤0.5 cycles per second. |
| Ambient temperature range (static) | -40 °C...+105 °C |
| Ambient temperature range (dynamic) | 5 °C...+105 °C |
| Temperature range (installation) | -10 °C...+105 °C |

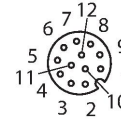
| Approval | |
|-----------|--|
| Approvals | UL 2238 CSA C22.2 No. 182.3 CE UKCA RoHS |

| Note | |
|------|--|
| | - Flex ratings may be reduced if used in extreme temperatures, exposure to certain chemicals, operating above the rated cycle speed, or operating below the rated cable bend radius. |
| | - We reserve the right to make technical alterations without prior notice. |

Accessories

| TORQUE-WRENCH-SET-M12-LEGACY | A900153 |
|------------------------------|--|
| | Adjustable torque driver to connect to a Ø15mm knurl. Compatible with the redesigned and legacy M12 cordsets. Includes (1) adjustable torque driver, (1) adjustment tool, (1) 1/4"square to 4mm hex adaptor bit, and (1) Ø15mm spring loaded clamp bit |

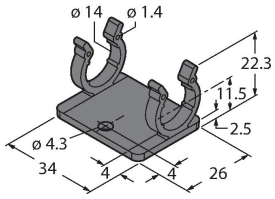
Connector A



Circuit Diagram

| | |
|----|----|
| 1 | WH |
| 2 | BN |
| 3 | GN |
| 4 | YE |
| 5 | GY |
| 6 | PK |
| 7 | BU |
| 8 | RD |
| 9 | OR |
| 10 | TN |
| 11 | BK |
| 12 | VT |

Accessories

M12-CORDSETS-MOUNTING-CLIP-(10/BAG)**100016882**

10 Pack of black mounting clips and M4x8mm mounting screws, used to secure cable to cable connection points.