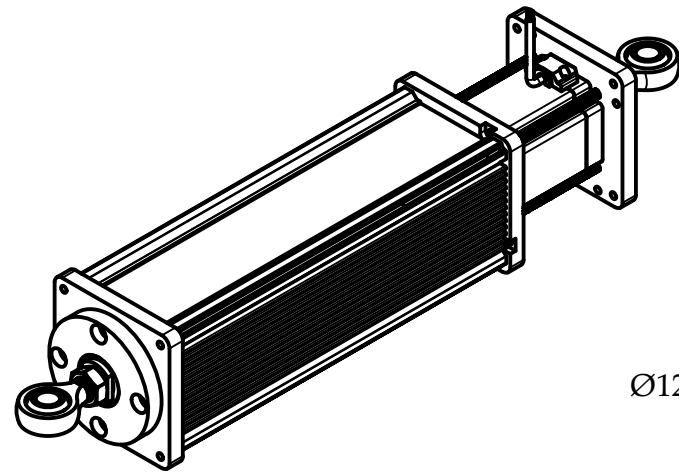
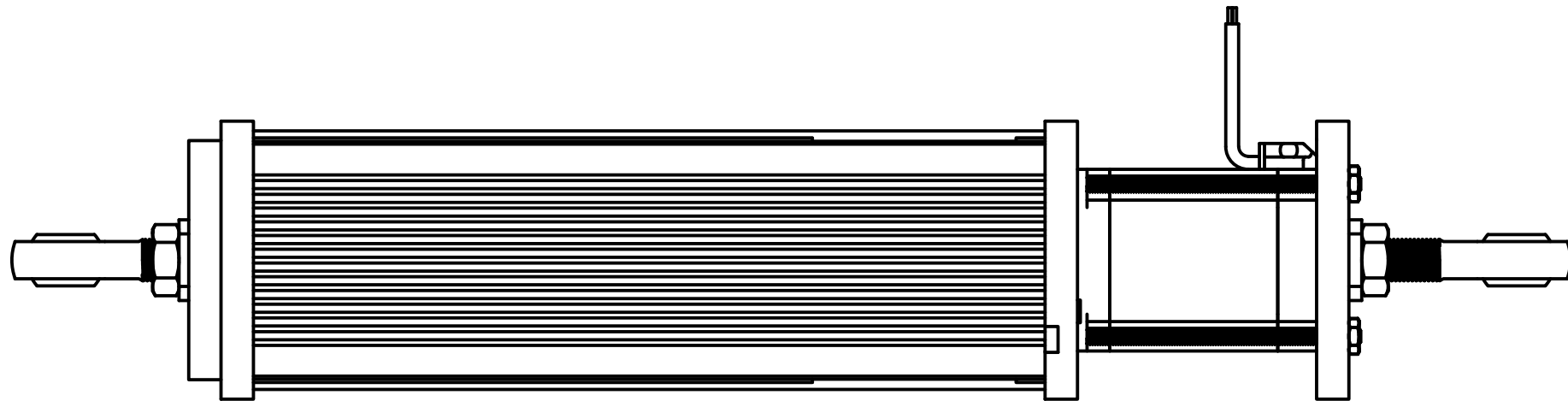
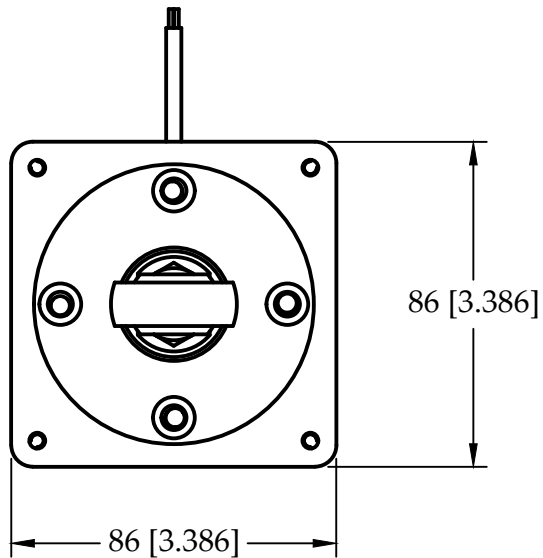
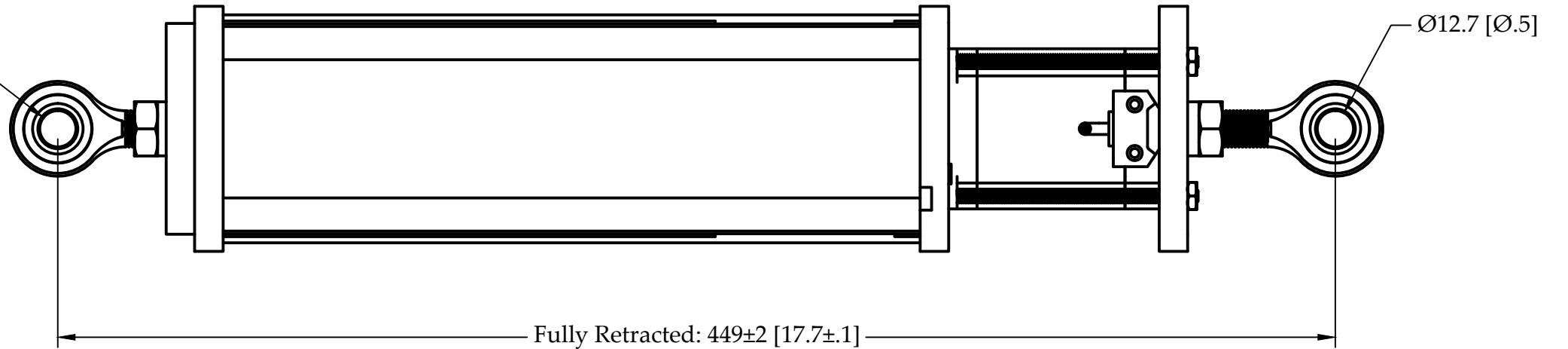


For reference only, subject to change without notice.



Ø12.7 [Ø.5]



Motor: Brushless Bi-polar Stepper  
 Resolution: 1.8°  
 Motor Current: 4 A per coil  
 Actuator Type: Ball Screw  
 Ball Screw Diameter: 12 mm  
 Max Stroke: 150 mm or 6 in  
 Max Side Load: 66 N or 15 lbf  
 Protection Class: IP 54

**BLA-015-0600-TG**  
 Max Thrust: 670N or 150 lbf  
 Max Speed: 50 mm/sec or 2 in/sec

**BLA-030-0600-TG**  
 Max Thrust: 1300N or 300 lbf  
 Max Speed: 25 mm/sec or 1 in/sec

**PROPRIETARY AND CONFIDENTIAL NOTICE**  
 ALL INFORMATION ON THIS SHEET IS THE SOLE PROPERTY OF  
 Roll-2-Roll Technologies LLC.  
 All Rights Reserved. © Copyright 2023.



DRAWN	AS	4/29/2024	<b>Roll-2-Roll Technologies</b> Website: <a href="https://r2r.tech">https://r2r.tech</a> Phone: +1-888-290-3215 Email: <a href="mailto:engineering@r2r.tech">engineering@r2r.tech</a>		
CHECKED	AS	8/31/2024			
APPROVED	AS	8/31/2024			
UNLESS OTHERWISE SPECIFIED: ALL DIMENSIONS ARE IN MM TOLERANCES UNLESS NOTED: INCH                      MILLIMETER X.X ± 0.030              X.X ± 1 X.XX ± 0.015            X.XX ± 0.5 X.XXX ± 0.005          X.XXX ± 0.25			TITLE BLA-015-0600-TG or BLA-030-0600-TG		
THIRD ANGLE PROJECTION			SIZE B	DWG NO	REV
DO NOT SCALE DRAWING			SCALE 1:4	SHEET 1/1	