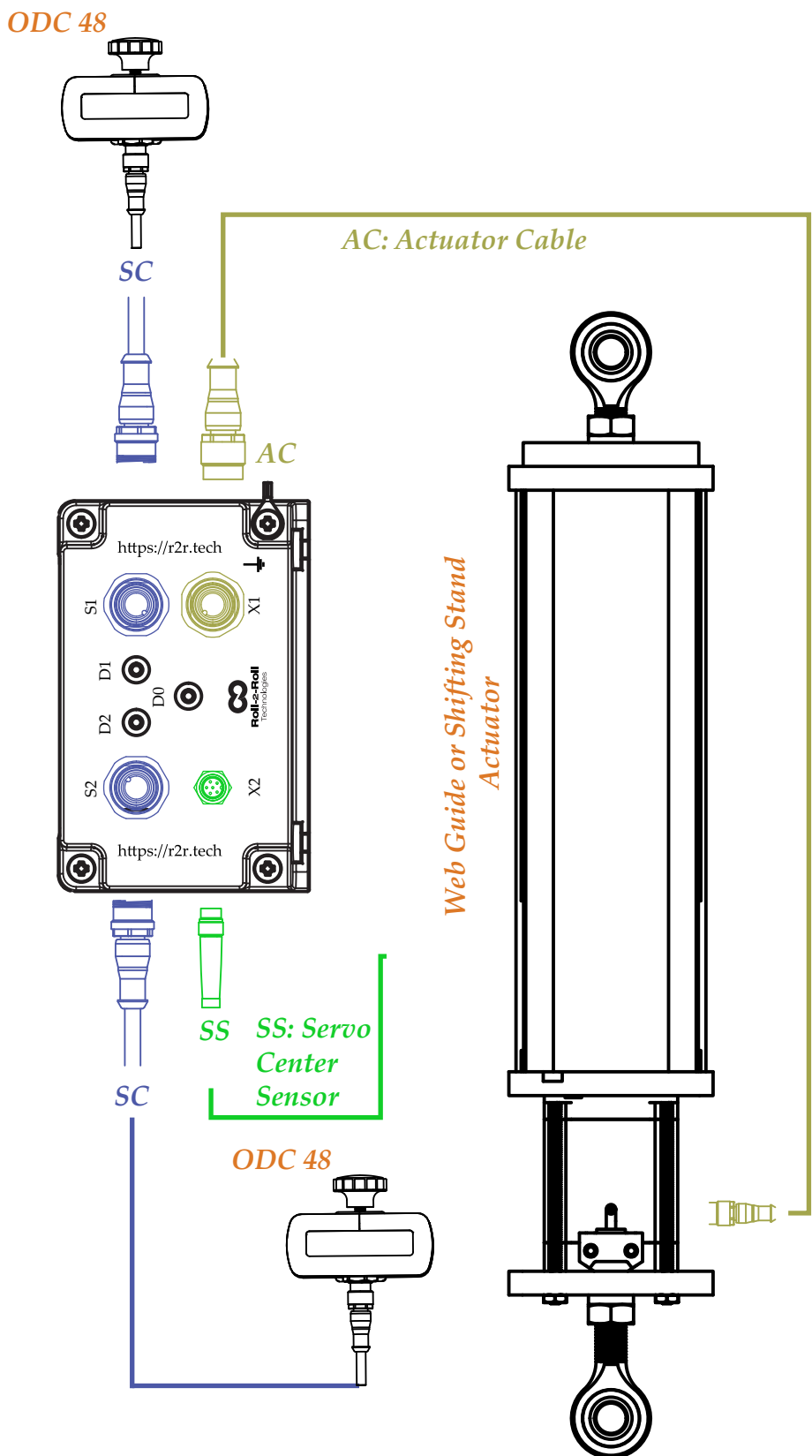
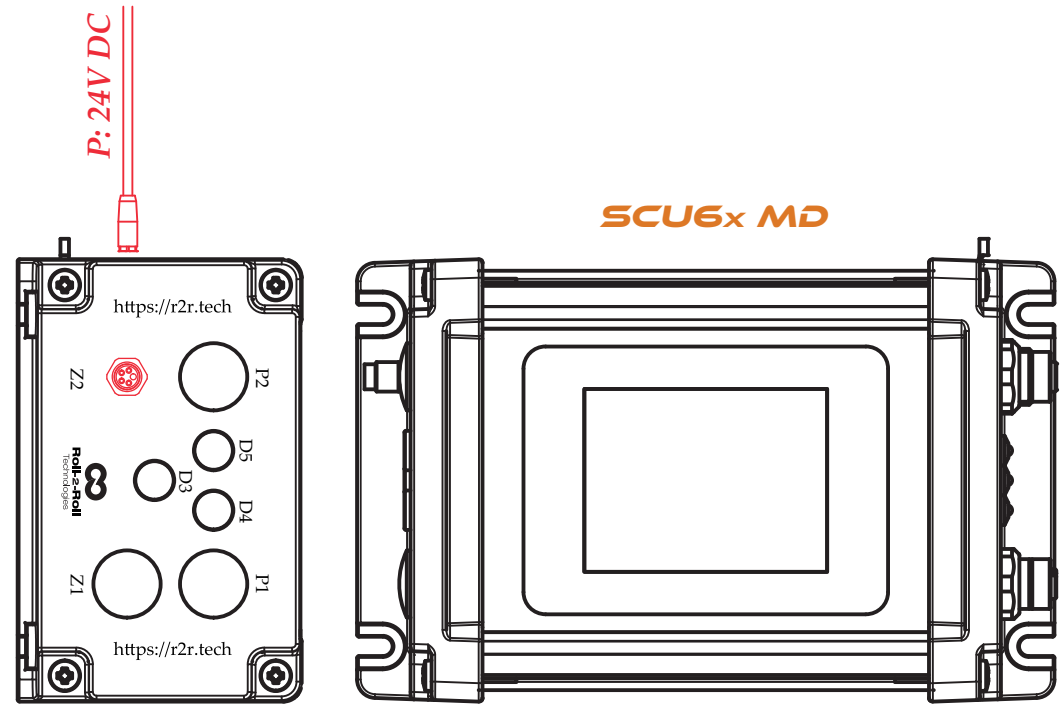


For reference only, not to scale



- AC: Actuator Cable*
- M12 4-pin A-coded Male and Female cordset*
- SS: Servo Center Sensor*
- M8 6-pin Female to Inductive Proximity Sensor*
- SC: Quick Disconnect Sensor Cable*
- M12 12-pin shielded cable Male and Female cordset*
- P: 24 V DC Input Power Cable*
- DC Power Connector 2.5mm tip for 24V DC Power Flying Lead*